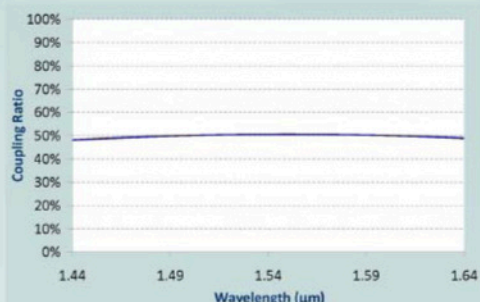


# WAVELENGTH FLATTENED COUPLERS (WFC)

Wavelength Flattened Couplers are small and insensitive to operating wavelengths, suitable for use in instrumentation, DWDM systems, trunk/loop branching, and CATV distribution. Their low optical loss and high directivity make them an excellent choice for systems with power constraints. Devices can be optimized at either 1310nm, 1550nm or custom wavelengths. Available in a variety of coupling ratios.

## Specifications Based on 50/50 Coupling Ratio

		Series 1	Series 2
Wavelength (nm)		see Fiber & Wavelength table below	
Insertion Loss (dB) <small>(applies to fiber code 32, 27)</small>		≤ 3.4	≤ 3.7
Uniformity (dB) <small>(applies to fiber code 32, 27)</small>		≤ 0.6	≤ 1.0
Typical Thermal Stability (dB)		≤ ±0.1	
Typical Polarization Stability (dB)		≤ ±0.1	
Typical Directivity (dB)	2x2	≥ 65	
	1x2	≥ 40	
	1x2 w/LRT™	≥ 60 (for SMF-28) ≥ 55 (for all other fibers)	



Typical wavelength dependence of coupling ratio for wavelength flattened couplers.

### Features

- Low Excess Loss
- Low Insertion Loss Over a Bandpass
- Excellent Uniformity
- Low Wavelength Dependent Loss
- Low Polarization Dependent Loss
- High Directivity

### Applications

- Instrumentation
- CATV Distribution
- DWDM Systems
- Trunk/Loop Branching

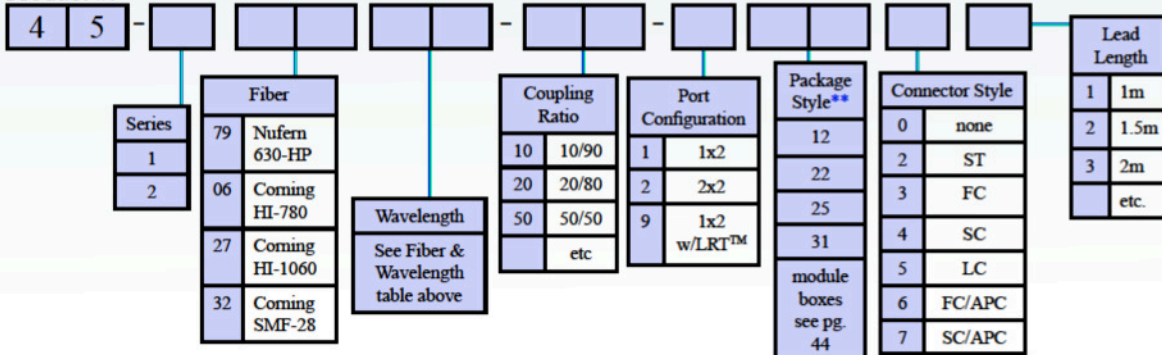
## Coupling Ratio/Insertion Loss Chart

Fiber Type	Corning SMF 28™ Fiber & Corning HI-1060				Corning HI-780 fiber & Nufern 630-HP			
	Desired Split Ratio		Insertion Loss (dB)		Desired Split Ratio		Insertion Loss (dB)	
	Series 1	Series 2	Series 1	Series 2	Series 1	Series 2	Series 1	Series 2
50/50	3.4	3.7	3.6	3.8				
40/60	4.5/2.6	4.8/2.8	4.7/2.7	5.0/2.9				
30/70	5.8/2.0	6.1/2.0	6.0/2.1	6.4/2.1				
20/80	7.7/1.3	8.0/1.3	7.9/1.4	8.5/1.4				
10/90	11.2/0.8	12.9/0.8	11.3/0.9	12.7/0.9				
5/95	14.6/0.4	18.4/0.5	15.1/0.5	18.9/0.7				
1/99	23.0/0.2	23.0/0.3	23.0/0.4	23.0/0.6				

## Fibers & Operating Wavelengths

Fiber Code	Description	Operating Wavelengths (nm) & Codes
79	Nufern 630-HP	67: 670(+/-40) 78: 780(+/-40) 81: 810(+/-40)
06	Corning HI-780	81: 810 (+/-40) 85: 850 (+/-40) 90: 900 (+/-40)
27	Corning HI-1060	01: 1010 (+/-40) 06: 1060 (+/-40)
32	Corning SMF 28™ 200 kpsi	31: 1310 (+/-40) 48: 1480 (+/-40) 55: 1550 (+/-40),etc

Product #:



distributed by

Specifications are based on non-connectorized products. For connectorized specifications, please call sales for details. Custom optical & mechanical configurations are available upon request.