



QLD106G-6410 series

1064nm 15ps DFB Laser Butterfly Package with SMPM connector

C00167-03 December 2017



1. DESCRIPTION

QLD106G-6410 series is a 1064-nm distributed feedback (DFB) laser suitable for short pulsed seed sources including picosecond pulse operation. The laser is assembled into a 7-pin butterfly package with SMPM connector.

2. FEATURES

- Single longitudinal mode operation at 1064 nm
- Short pulsed operation of 15 ps
- 7-pin butterfly package with SMPM connector

3. APPLICATIONS

- Seeder for fiber lasers
- Sensing

4. ABSOLUTE MAXIMUM RATINGS

PARAMETER	SYMBOL	RATING	UNIT
Optical Output power (CW)	P_f	20	mW
LD Forward Current (CW)	I_f	90	mA
LD Reverse Voltage	V_{RLD}	2	V
TEC Drive Current	I_{TEC}	2	A
TEC Drive Voltage	V_{TEC}	4.3	V
Operation Temperature	T_c	0 to 60	°C
Storage Temperature	T_{stg}	-40 to 85	°C
Lead Soldering Temperature (10 s)	T_{slid}	260	°C

5. OPTICAL AND ELECTRICAL CHARACTERISTICS

($T_{LD} = 25^\circ\text{C}$, unless otherwise specified)

PARAMETER	SYMBOL	TEST CONDITION	MIN	TYP	MAX	UNIT
Peak Wavelength	λ_p	Pulsed operation	1061	1064	1067	nm
	$\Delta\lambda$	@20dB, Pulsed	-	1	-	nm
	PW	-	-	15	-	ps
	$P_{f,ave}$	Pulsed/100MHz	-	0.1	-	mW
	SMSR	Pulsed	-	30	-	dB
	PER	CW	15	20	-	dB
	R_{th}	$T_{LD} = 25^\circ\text{C}$, $B=3930\text{K}$	9.5	10	10.5	k Ω
	Z_0	-	-	50	-	Ω
	-	@1064nm	25	40	-	dB

Distributed by  imm photonics

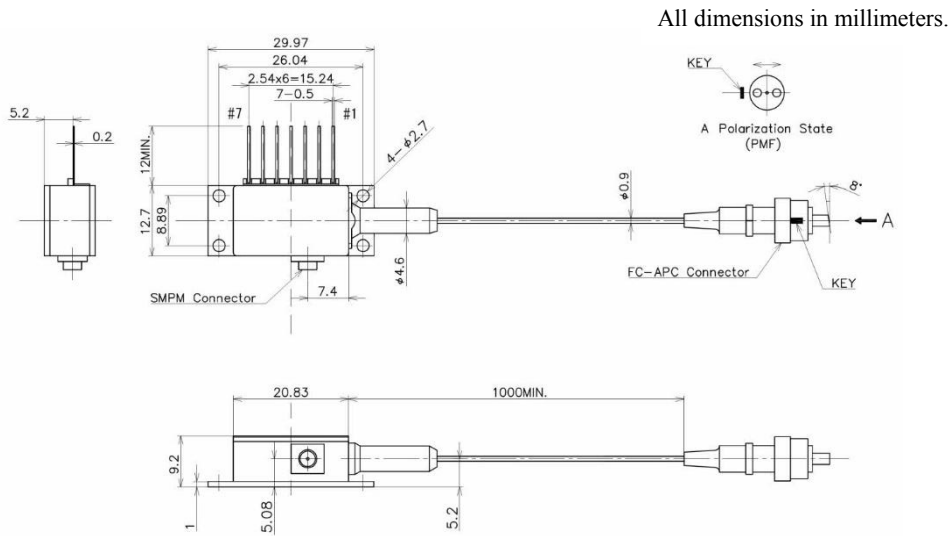
Ohmstrasse 4 85716 Unterschleissheim Germany
Tel.: +49 89 / 3214120 Fax: +49 89 / 32141211

www.imm-photonics.de
sales@imm-photonics.de

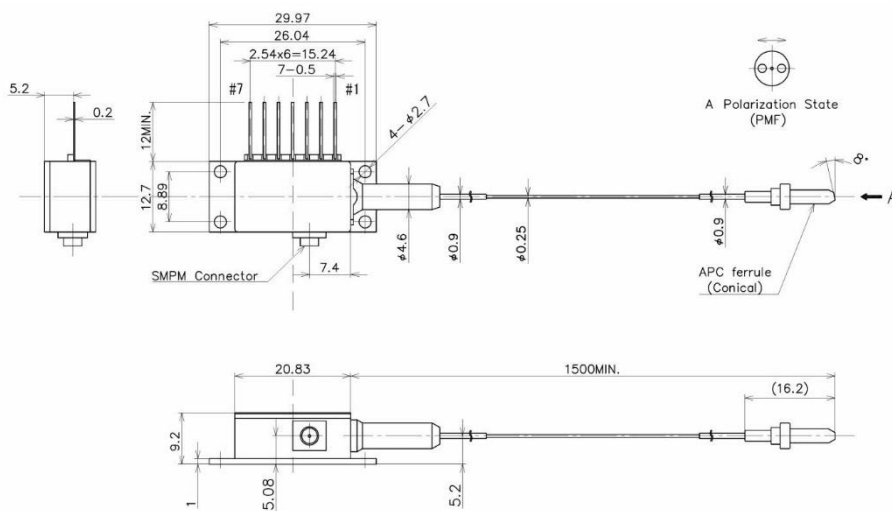
6. PRODUCT PART NUMBER

Part Number	Fiber Type	Fiber Diameter	Connector
QLD106G-6410	Polarization maintaining fiber	900 μm	FC/APC
QLD106G-6410-11		250 μm	Ferrule

7. OUTLINE DRAWING



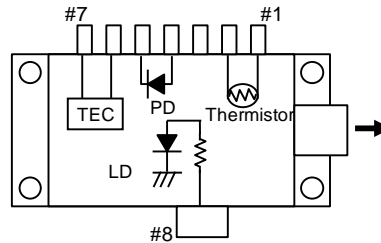
(a) 900-μm fiber diameter and FC/APC connector type (QLD106G-6410)



(b) 250-μm fiber diameter and ferrule type (QLD106G-6410-11)

8. PIN CONFIGURATION

No.	Description
1	Thermistor
2	Thermistor
3	NC
4	PD Anode
5	PD Cathode
6	TEC(+)
7	TEC(-)
8	LD Anode



9. NOTICE

- Safety Information

This product is classified as Class 3B laser product, and complies with 21 CFR Part 1040.10. Please do not take a look at laser lighting in operations since laser devices may cause troubles to human eyes. Please do not eat, burn, break and make chemical process of the products since they contain GaAs material.

- Handling products

Semiconductor lasers are easily damaged by external stress such as excess temperature and ESD. Please pay attention to handling products, and use within range of maximum ratings. QD Laser takes no responsibility for any failure or unusual operation resulting from improper handling, or unusual physical or electrical stress.

- RoHS

This product conforms to RoHS compliance related EU Directive 2011/65/EU.

Distributed by  **imm photonics**

Ohmstrasse 4 85716 Unterschleissheim Germany
 Tel.: +49 89 / 3214120 Fax: +49 89 / 32141211

www.imm-photonics.de
 sales@imm-photonics.de

QD Laser, Inc.

Copyright 2015-2017 All Rights Reserved by QD Laser, Inc.

All company or product names mentioned herein are trademarks or registered trademarks of their respective owners. Information provided in this data sheet is accurate at time of publication and is subject to change without advance notice.