



### 1. DESCRIPTION

The QLD1161-2030/8030 series are 1120/1180-nm distributed feedback (DFB) lasers for use in scientific and industrial applications. The laser is assembled into a 14-pin butterfly package with an optical isolator, a monitor PD and a thermo-electric cooler.

### 2. FEATURES

- Single longitudinal mode operation at 1120 or 1180nm
- Fiber-pigtailed 14-pin butterfly package with a TEC
- Optical isolator integration
- Polarization maintaining fiber integration
- Two types of pigtailed fiber diameter are available: 900um or 250um

### 3. APPLICATION

- Seed source for SHG
- Sensing

### 4. ABSOLUTE MAXIMUM RATING

PARAMETER	SYMBOL	RATING	UNIT
Optical Output power	$P_f$	50	mW
LD Forward Current	$I_f$	250	mA
LD Reverse Voltage	$V_{RLD}$	2	V
TEC Drive Current	$I_{TEC}$	2	A
TEC Drive Voltage	$V_{TEC}$	4.3	V
Operation Temperature	$T_c$	0 to 60	°C
Storage Temperature	$T_{stg}$	-40 to 85	°C
Lead Soldering Temperature (5 s)	$T_{sld}$	230	°C

distributed by



Ohmstrasse 4  
85716 Unterschleissheim  
[www.imm-photonics.de](http://www.imm-photonics.de)

Tel.: +49 89 3214120  
Fax.: +49 89 32141211  
[sales@imm-photonics.de](mailto:sales@imm-photonics.de)

## 5. OPTICAL AND ELECTRICAL CHARACTERISTICS

( $T_{LD} = 25^{\circ}\text{C}$ , unless otherwise specified)

PARAMETER		SYMBOL	TEST CONDITION	MIN	TYP	MAX	UNIT
Peak Wavelength	QLD1161-2030	$\lambda_p$	CW, $P_f=30$ mW	1115*	1120	1125*	nm
	QLD1161-8030			1175*	1180	1185*	
Spectral Width (FWHM)		$\Delta\nu$	CW, $P_f=30$ mW	-	TBD		MHz
Temperature Coefficient of $\lambda_p$		$d\lambda_p/dT$	CW	-	0.08	-	nm/K
Current Coefficient of $\lambda_p$		$d\lambda_p/dI$	CW	-	0.01	-	nm/mA
Fiber Output Power		$P_f$	CW	30	-	-	mW
Threshold Current		$I_{th}$	CW	-	30	-	mA
Operation Current		$I_{op}$	CW, $P_f=30$ mW	-	150	200	mA
Operation Voltage		$V_{op}$	CW, $P_f=30$ mW	-	1.7	2.0	V
Sidemode Suppression Ratio		SMSR	CW, $P_f=30$ mW	-	40	-	dB
Polarization Extinction Ratio		PER	CW, $P_f=30$ mW	15	20		dB
Monitor PD Current		$I_m$	CW, $P_f=30$ mW	50	100	1000	$\mu\text{A}$
Thermistor Resistance		$R_{th}$	$T_{LD} = 25^{\circ}\text{C}$ , B=3900K	9.5	10	10.5	k $\Omega$

\*Peak wavelength tolerance of +/- 2nm is available as an option.

## 6. PRODUCT PART NUMBER

Part Number	Peak Wavelength	Output Power	Fiber Diameter	Connector
QDL1161-2030	1120nm	30mW	900um	FC/APC
QLD1161-2030-11			250um	Ferrule
QDL1161-8030	1180nm		900um	FC/APC
QLD1161-8030-11			250um	Ferrule

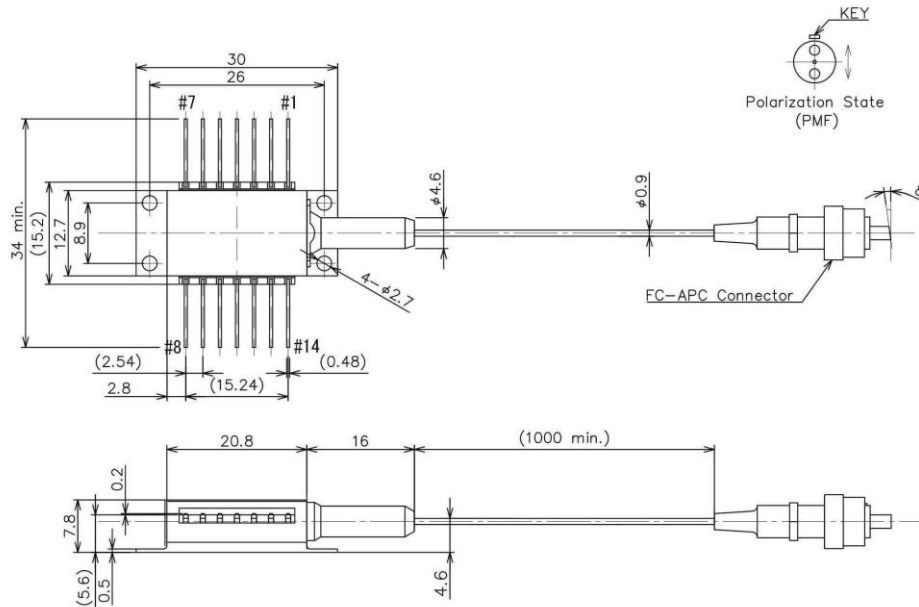
distributed by



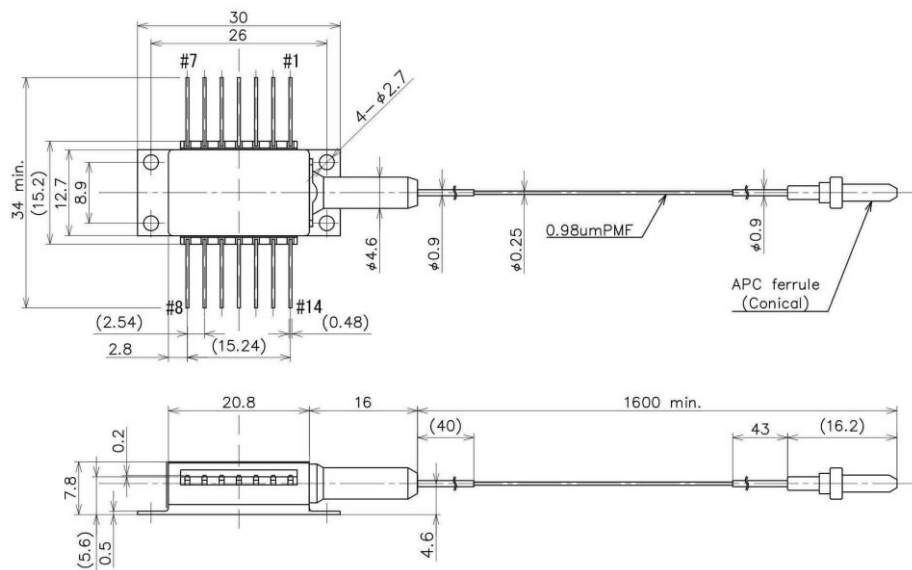
Ohmstrasse 4  
85716 Unterschleissheim  
[www.imm-photonics.de](http://www.imm-photonics.de)

Tel.: +49 89 3214120  
Fax.: +49 89 32141211  
[sales@imm-photonics.de](mailto:sales@imm-photonics.de)

## 7. OUTLINE DRAWING



(a) 900um fiber diameter and FC/APC connector type



(b) 250um fiber diameter and ferrule type

distributed by

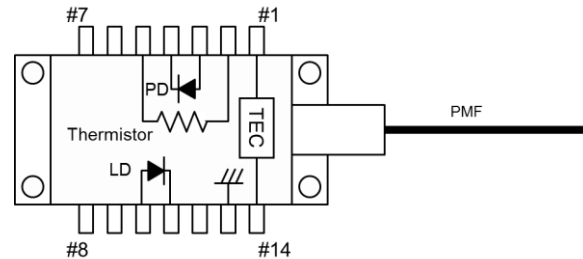


Ohmstrasse 4  
85716 Unterschleissheim  
[www.imm-photonics.de](http://www.imm-photonics.de)

Tel.: +49 89 3214120  
Fax.: +49 89 32141211  
[sales@imm-photonics.de](mailto:sales@imm-photonics.de)

## 8. PIN CONFIGURATION

No.	Description	No.	Description
1	TEC (+)	8	NC
2	Thermistor	9	NC
3	PD Anode	10	Laser Anode
4	PD Cathode	11	Laser Cathode
5	Thermistor	12	NC
6	NC	13	Case Ground
7	NC	14	TEC (-)



## 9. NOTICE

- Safety Information

This product is classified as Class 3B laser product, and complies with 21 CFR Part 1040.10.

Please do not take a look at laser lighting in operations since laser devices may cause troubles to human eyes.

Please do not eat, burn, break and make chemical process of the products since they contain GaAs material.

- Handling products


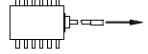
Semiconductor lasers are easily damaged by external stress such as excess temperature and ESD.

Please pay attention to handling products, and use within range of maximum ratings.

QD Laser takes no responsibility for any failure or unusual operation resulting from improper handling, or unusual physical or electrical stress.

- RoHS

This product conforms to RoHS compliance related EU Directive 2002/95/EC.

 <p><b>DANGER</b></p>	<p>LASER DIODE</p> 
<p>INVISIBLE LASER RADIATION AVOID DIRECTION EXPOSURE TO BEAM</p> <p>MAXIMUM OUTPUT 300 mW WAVELENGTH 1000~1200 nm CLASS 3B LASER PRODUCT</p>	<p>AVOID EXPOSURE—Invisible Laser Radiation is emitted from this aperture.</p>
<p>This product complies with 21 CFR Part 1040.10</p> <p><b>QD Laser, Inc.</b></p> <p>1-1 Minamiwataridacho, Kawasaki-ku, Kawasaki, Kanagawa, 210-0855 Japan</p>	

distributed by



Ohmstrasse 4  
85716 Unterschleissheim  
[www.imm-photonics.de](http://www.imm-photonics.de)

Tel.: +49 89 3214120  
Fax.: +49 89 32141211  
[sales@imm-photonics.de](mailto:sales@imm-photonics.de)

QD Laser, Inc.

Contact : [info@qdlaser.com](mailto:info@qdlaser.com) <http://www.qdlaser.com>

Copyright 2013 All Rights Reserved by QD Laser, Inc.

Keihin Bldg. 1F 1-1 Minamiwatarida-cho, Kawasaki-ku, Kawasaki, Kanagawa Zip 210-0855 Japan

All company or product names mentioned herein are trademarks or registered trademarks of their respective owners. Information provided in this data sheet is accurate at time of publication and is subject to change without advance notice.