

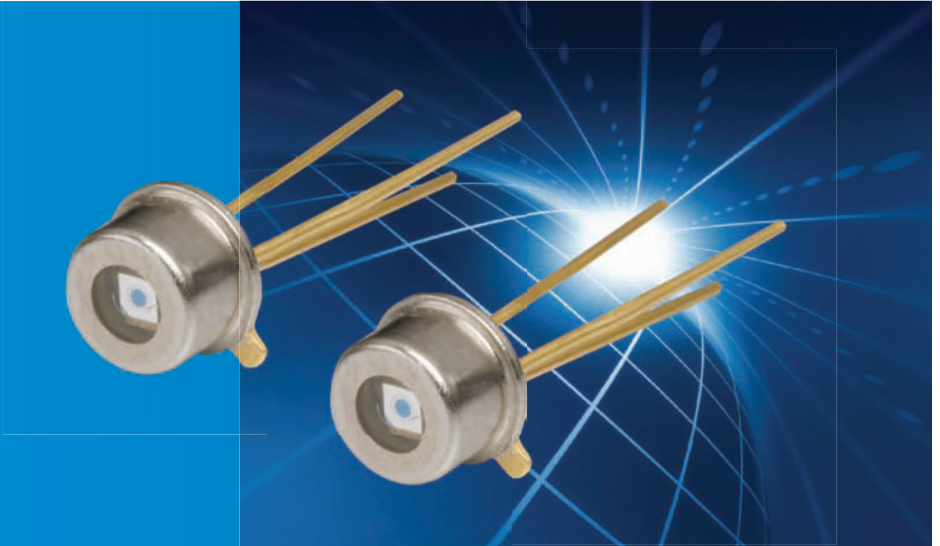
75um InGaAs APD Module

ISO 9001:2008 Certified

- Low Noise
- High Sensitivity
- 75 um Active Area
- High Speed 2GHz
- Standard TO46 Package
- RoHS Compliant

Applications:

Range Finding
Sensors
OTDRs

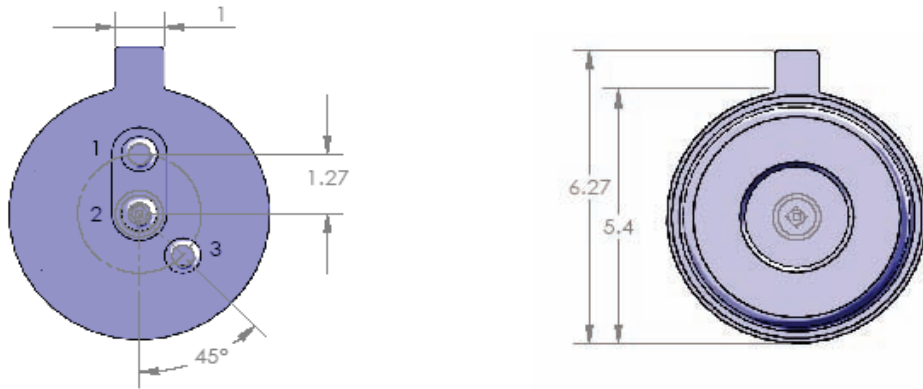


The LAPD 1550-80R is a 75um InGaAs APD housed in a hermetic 3 pin TO46 Package. The low noise and high sensitivity of the LAPD 1550-80R APD make it ideal for use in range finding, sensors, OTDRs and any other low light level detection application.

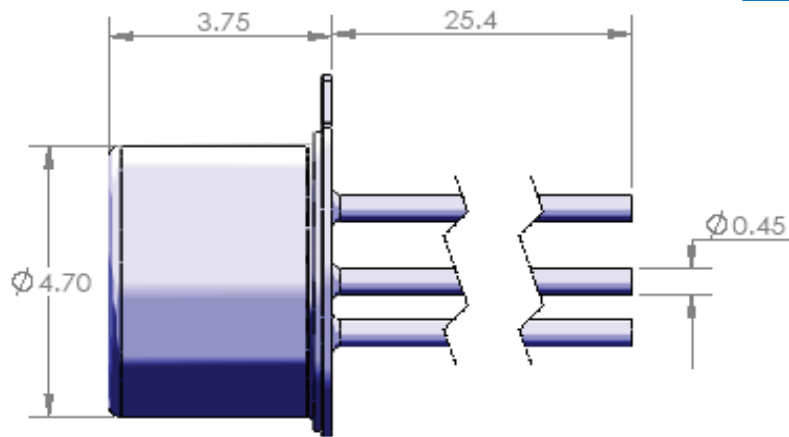
APD Specifications (Performance @ 25°C)

PARAMETERS	SYMBOL	CONDITIONS	Min	Typ	Max	Units
Active Area Diameter	Ø			75		µm
Operational Wavelength	λ		800	1550	1700	nm
Responsivity	R	λ = 1550nm, M = 1	0.7	0.75		A/W
Dark Current	I _d	M = 10		5.6	7	nA
Breakdown Voltage	V _{br}	I _d > 100 uA	30	37	40	V
dV _{br} /dT	Γ		15	17	19	mV / °C
Capacitance	C _T	f = 1 MHz, M > 3		1		pF
Bandwidth	f _{3db}	RL = 50Ω, 3 < M < 10		2		GHz
Excess Noise Factor	NEF	M = 10		3.5		
Noise Equivalent Power	NEP	λ = 1550nm, M = 10		3.7 x 10 ⁻¹⁴		W / Hz ^{0.5}
Absolute Max Reverse Current	I _r				3	mA
Max Forward Current	I _f				5	mA
Operating Temperature Range	T _{op}		-40		85	°C
Storage Temperature	T _{stg}	Non operating	-40		85	°C

Outline Drawing



PINOUT TABLE	
PIN No.	Description
1	Anode
2	Cathode
3	Ground



Dimensions: mm

Ordering Information

Products can be ordered directly from OSI Laser Diode Inc. or its representatives.
 For a complete listing of representatives, visit our website at
www.laserdiode.com

When ordering, refer to model number **LAPD 1550-80R**

Personal Hazard and Handling Precautions:

ESD precautions apply.

Warranty:

Please refer to your product purchase agreement for complete details or check with your OSI Laser Diode sales representative.

Notice:

OSI Laser Diode Inc. reserves the right to make changes to the products or information contained herein without notice.
 No liability is assumed as a result of their use or application.