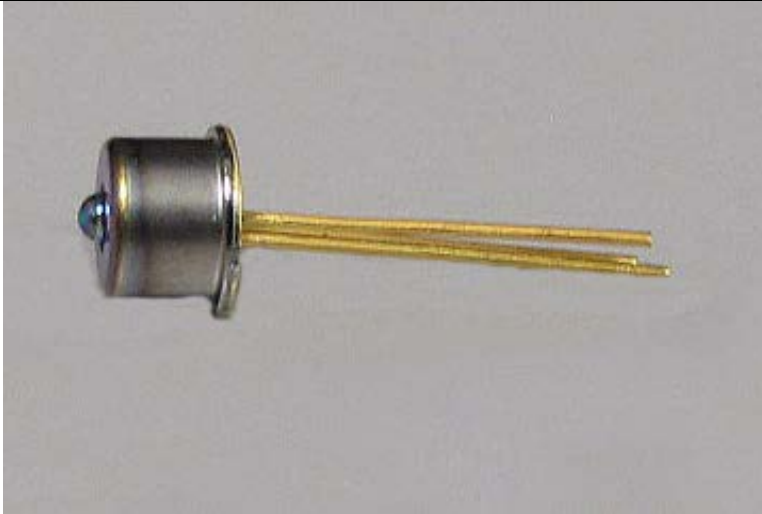


## 30um InGaAs APD Module



- Low Noise
- High Sensitivity
- 30um Active Area
- High Speed 3.5GHz
- Standard TO46 Package
- RoHS Compliant
- Applications:  
Range Finding  
Sensors  
OTDRs

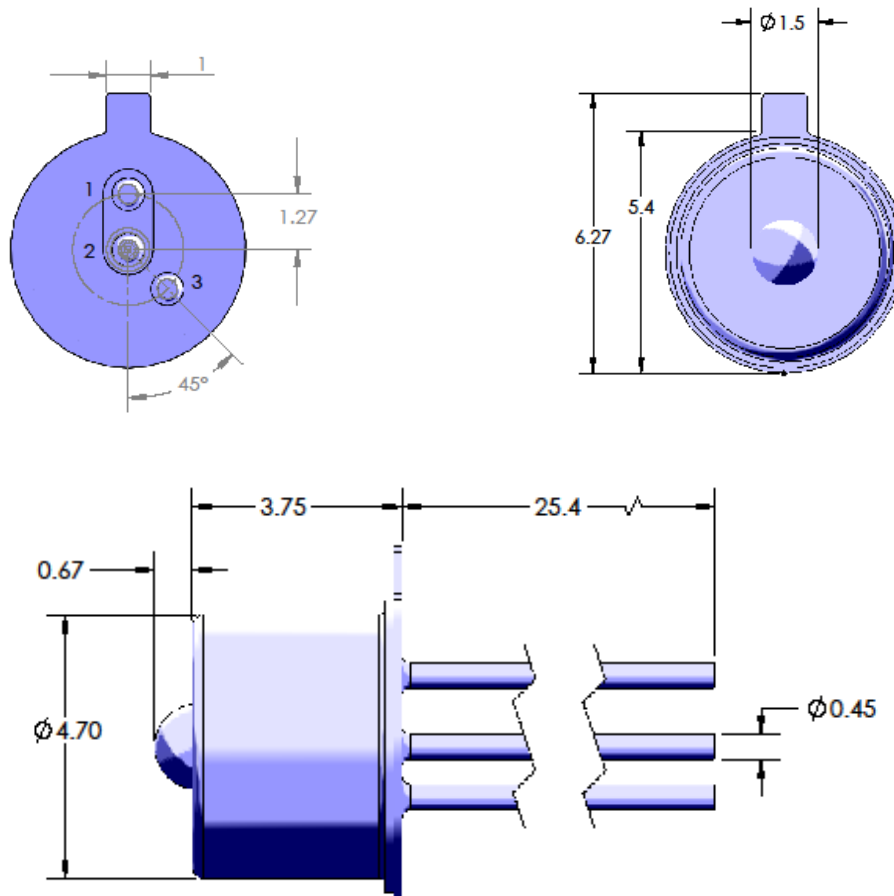
The LAPD 1550-30R is a 30um InGaAs mesa structure APD housed in a hermetic 3 pin TO46 Package with lens cap. The low noise, high sensitivity and broad Vbr curve make the LAPD 1550-30R APD ideal for use in range finders and high sensitivity line receivers. The device is RoHS compliant.

### Characteristics (T<sub>amb</sub> = 25°C)

Parameter	Symbol	Conditions	Min.	Typ.	Max	Units
Active area diameter	D <sub>A</sub>			30		μm
Operational wavelength	λ <sub>O</sub>		1260	1550	1650	nm
Responsivity	R <sub>10</sub>	λ = 1550nm, M=1	0.9	1		A/W
Dark Current	I <sub>r</sub>	V=0.9*V <sub>BR</sub>		30	50	nA
Breakdown Voltage	V <sub>br</sub>	I <sub>d</sub> = 10 uA	30	37	40	V
Operating Voltage	V <sub>op</sub>			V <sub>br-3</sub>	V <sub>br-2</sub>	V
dV <sub>br</sub> /dT	Γ		0.06	0.07	0.08	V / °C
Capacitance	C <sub>T</sub>	f = 1 MHz, M = 9		0.3		pF
Bandwidth	BW	M=10	2.7	3.2		GHz
Absolute Max Reverse Current	I <sub>ra</sub>				3	mA
Max Forward Current	I <sub>fa</sub>				2	mA
Coupling Distance	L <sub>D</sub>	From cap face		1.6		mm
Operating temp. range	T <sub>op</sub>		-40		85	°C
Storage temp. range	T <sub>stg</sub>	Non operating	-40		100	°C

distributed by

## Outline Drawing



PINOUT TABLE	
PIN No.	Description
1	Anode
2	Cathode
3	Ground

## Ordering Information

Products can be ordered directly from Laser Diode Inc. or its representatives.  
For a complete listing of representatives, visit our website at [www.laserdiode.com](http://www.laserdiode.com).

When ordering, please refer to model number **LAPD 1550-30R**

**Personal Hazard and Handling Precautions:**  
ESD precautions apply.

distributed by



### Warranty:

Please refer to your product purchase agreement for complete details or check with your Laser Diode sales representative.

Ohmstrasse 4  
85716 Unterschleissheim  
[www.imm-photonics.de](http://www.imm-photonics.de)  
[sales@imm-photonics.de](mailto:sales@imm-photonics.de)

### Notice:

Laser Diode Inc. reserves the right to make changes to the products or information contained herein without notice. No liability is assumed as a result of their use or application.

Tel.: +49 89 3214120  
Fax.: +49 89 32141211

LDI Document #10-4400-0063 Rev. IR