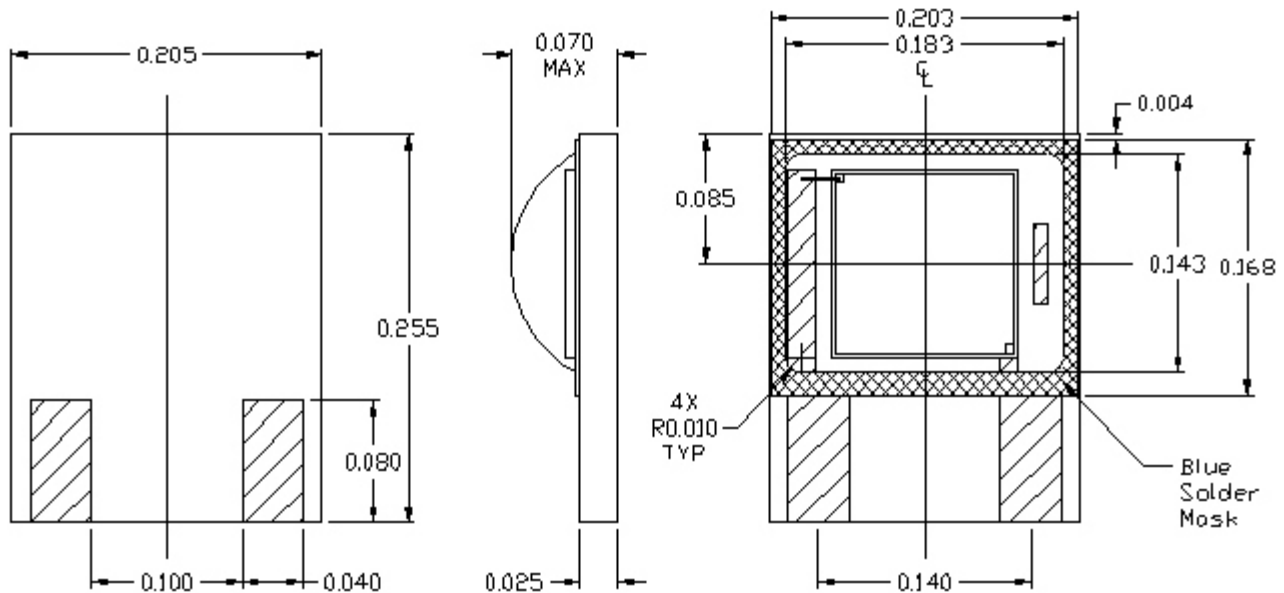


DESCRIPTION

This is a large area Silicon PIN detector optimized for ratio-metric applications requiring high Responsivity and high reliability.

FEATURES

- High Speed and high Responsivity
- High Reliability surface mount ceramic package
- Large active area



ABSOLUTE MAXIMUM RATINGS

- Storage temperature..... -40°C to +80°C
- Case operating temperature..... -40°C to +80°C
- Lead solder temperature..... 240°C, 3 seconds

OUTLINE DIMENSIONS

Tolerances are +/-0.005 inches, except as noted

Pin 1 - Anode, Pin 2 - Cathode

PARAMETER	TEST CONDITION	SYMBOL	MIN	TYP	MAX	UNIT
Reverse Breakdown Voltage	$I_r = 10 \mu A, H = 0 \text{ mW}$	V_{BR}	50	100		Volts
Responsivity	$H = 10 \mu W, V_r = 5 \text{ Volts}$ $\lambda = 900 \text{ nm}$	R_{c1}	.60	.65		A/W
Responsivity	$H = 10 \mu W, V_r = 5 \text{ Volts}$ $\lambda = 660 \text{ nm}$	R_{c2}	.35	.37		A/W
Dark Current	$V_r = 10 \text{ Volts}, H = 0 \text{ mW}$	I_d		5.0	10.0	nA
Spectral Response		λ	400		1100	nm
Capacitance	$V_r = 0V$	C		50	100	pF
Rise/Fall Time	$V_r = 10 \text{ Volts}, R_L = 1k \Omega$	t_r/t_f		50	100	nsec

ELECTRO-OPTICAL CHARACTERISTICS (Case T = 25°C)

distributed by



Ohmstrasse 4
85716 Unterschleissheim
www.imm-photonics.de

Tel.: +49 89 3214120
Fax.: +49 89 32141211
sales@imm-photonics.de