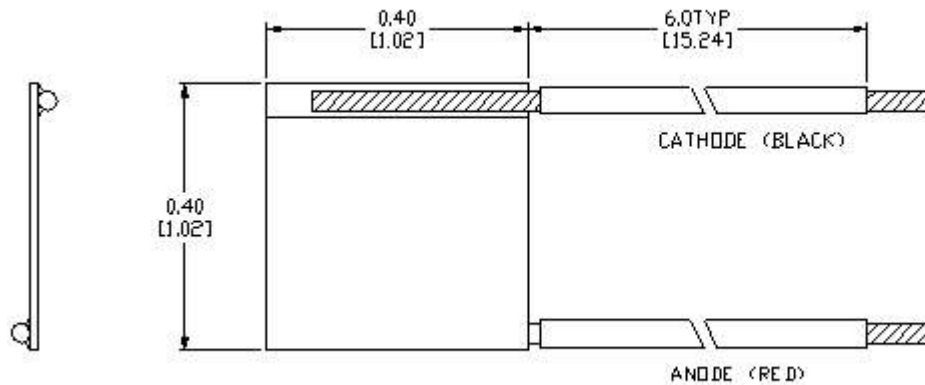


DESCRIPTION

This is a Silicon photocell for use in photometer, position detection, optical encoders and solar energy conversion applications.

FEATURES

- Large detection area
- Low cost
- High conversion efficiency
- 6" wire leads



ABSOLUTE MAXIMUM RATINGS

- Storage temperature..... -40°C to +85°C
- Case operating temperature..... 0°C to +70°C
- Lead solder temperature..... 260°C, 10 seconds

OUTLINE DIMENSIONS

Tolerances are +/-0.01 inches, except as noted

ELECTRO-OPTICAL CHARACTERISTICS (Case T = 25°C)

PARAMETER	TEST CONDITION	SYMBOL	MIN	TYP	MAX	UNIT
Capacitance	Vr = 0 V	C		20		nF
Responsivity	$\lambda = 900 \text{ nm}$	R_e		.48		A/W
Spectral Response		λ	400		1100	nm
Forward Voltage	If = 1 mA	Vf		0.42		Volts
Dark Current	Vr = 0.1 Volts, H = 0 mW	Id		0.8		μA
Short Circuit Current	100mW/cm ² , AM1 Solar Radiation	I _{sc}		17		mA
Short Circuit Current	100fc, Tungsten 2870K	I _{sc}		0.55		mA
Open Circuit Voltage	100mW/cm ² , AM1 Solar Radiation	I _{sc}		0.43		Volts

distributed by



Ohmstrasse 4
85716 Unterschleissheim
www.imm-photonics.de

Tel.: +49 89 3214120
Fax.: +49 89 32141211
sales@imm-photonics.de