

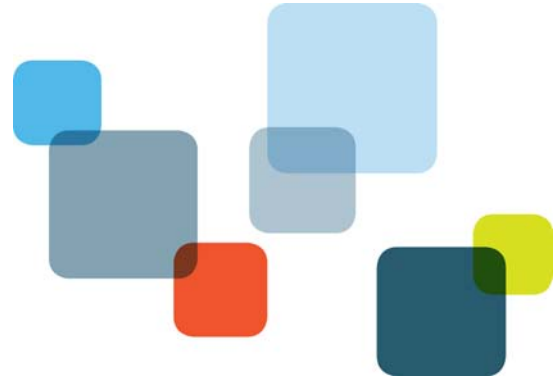
Variolens W

for handheld light sources of ilumCURE family

(Item No.: 1600000064)

User manual and data sheet





SAFETY MEASURES AND WARNINGS

- **Comply with safety regulations according to currently valid standards!**
(2006/25/EC, DIN EN 62471-2009, etc.)
- **Do not stare directly into the light source. Ultra violet or visible radiation can permanently damage the eyes!**
- **Take precautions; use protective window or eye protection made of suitable materials!**
- **Always avoid exposure to skin and eyes!**
- **Avoid humidity!**
(excessive air moisture > 95% r. h., splash water, direct immersion in water)
- **Do not expose the UV light source to excessive temperatures!**
(see specifications)
- **Operation only by trained personnel! (keep away from children)**
- **Device contains glass components, so protect from vibrations!**

USAGE

The Variolens W is attached on the handheld light sources of ilumCURE family to harden wide areas of adhesives homogeneously and fast.

ADJUSTMENT

By rotating the lens holder the nearly square shaped exposure window is focused in a working distance from approx. 50 mm to 150 mm. By tightening the screw, the lens holder can be secured against further rotation.

HOW TO MOUNT THE VARIOLENS ON THE ilumCURE DEVICES



1. Remove the standard lighting tip of the ilumCURE by carefully pulling towards the front.
2. **ilumCURE 1G / ilumCURE 2G Series:** Plug the adaptor of the Variolens into the receptacle of the ilumCURE (flattened side is facing upward directing to the push button, see picture) until it snaps into place.
ilumCURE industrial series: Plug the adaptor of the Variolens into the receptacle of the ilumCURE (flattened side is facing upward directing to the push button, see picture) and tighten the screw in the ilumCURE-housing (size hexagon wrench 1.5 mm).
3. By rotating the lens holder the illuminated area can be focused on the desired working distance and locked. If required it can be locked in this position by using the supplied Allen key.

OPERATION

ilumCURE 1G series:	Operated by the push button of the handheld light source
ilumCURE 2G series:	Operated by the push button of the handheld light source or via Software
ilumCURE industrial series:	Operated via Software only

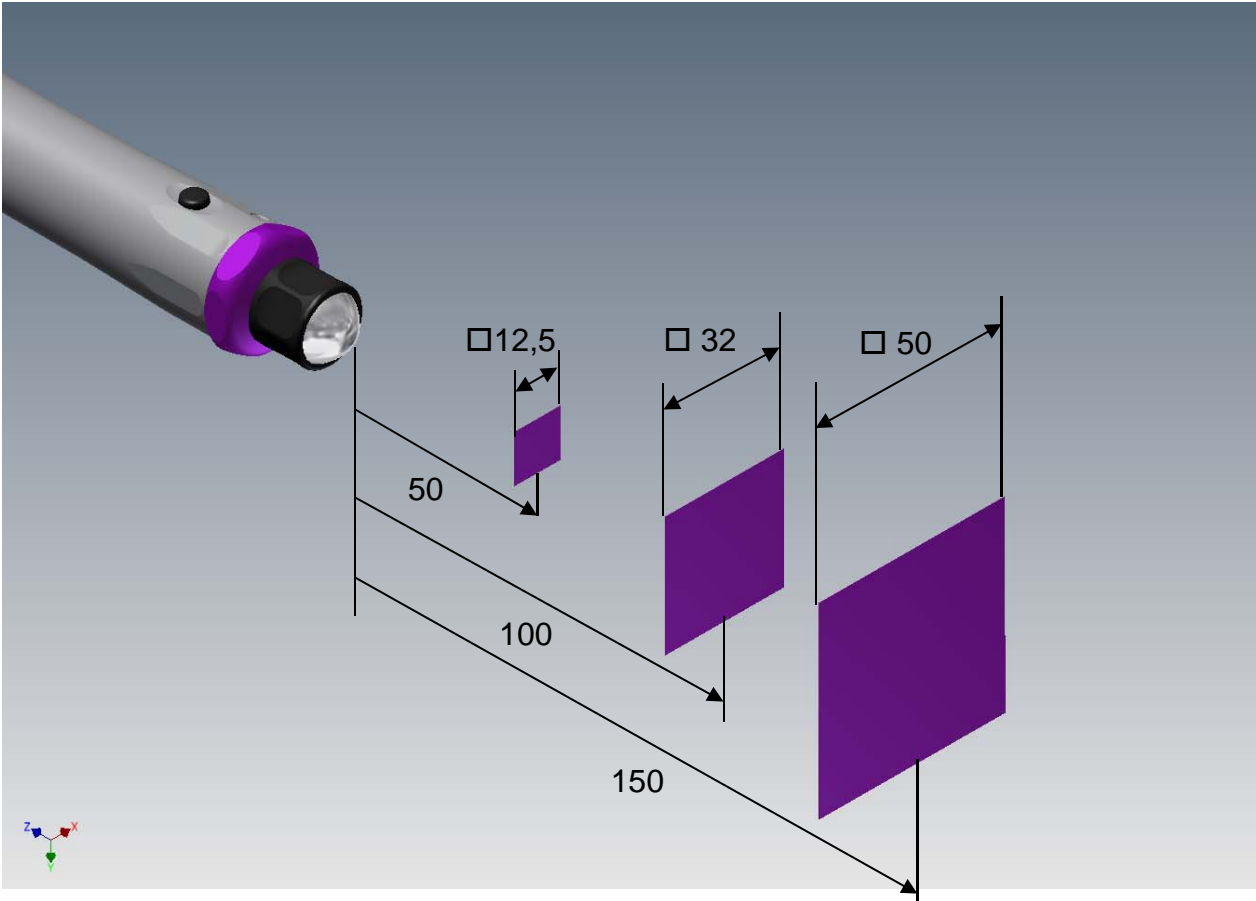
CLEANING

If necessary, the Variolens can be cleaned carefully with a soft lint-free cloth (such as a lens cleaning cloth). Don't use aggressive or abrasive cleansing agents or detergents!

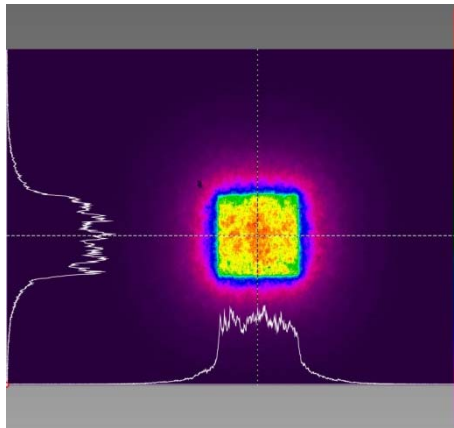
MAINTENANCE

The device is generally maintenance-free. Please avoid fingerprints on the glass surface! If the Variolens is quite dirty (e.g. hardened adhesive residues) it should be replaced by a new one. Otherwise the homogeneity of the beam is no longer warranted.

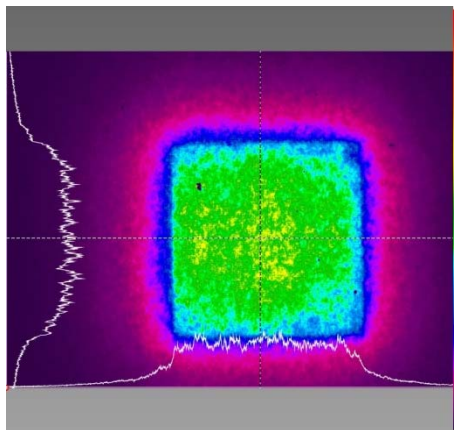
ILLUMINATED AREA VS. WORKING DISTANCE



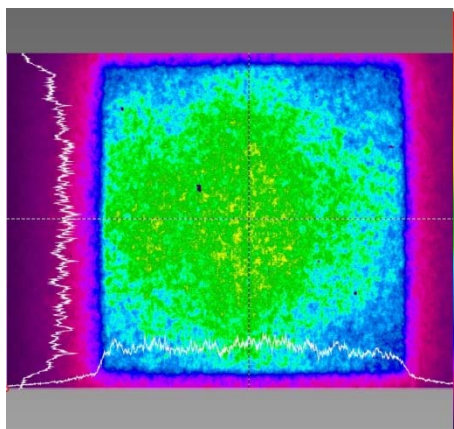
BEAM PROFILES



Beam profile at a distance of 50 mm

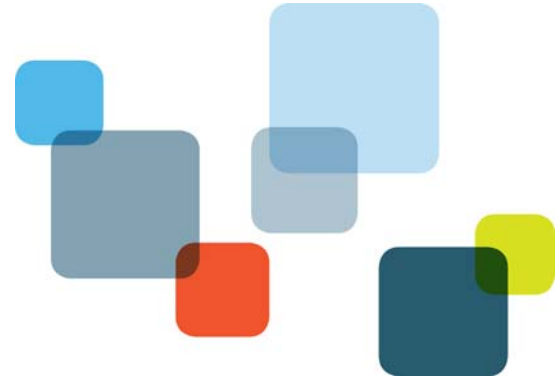


Beam profile at a distance of 100 mm



Beam profile at a distance of 150 mm

SPECIFICATIONS OF VARIOLENS W



Typical max. optical output power*^{1,2} of ilumCURE 1G, ilumCURE 2G or ilumCURE industrial with Variolens W	200 mW @ 365 nm
Typical optical power density*^{1,3} of ilumCURE 1G, ilumCURE 2G or ilumCURE industrial with Variolens W	183 mW/cm ² @ 0 mm distance 222 mW/cm ² @ 5 mm distance 243 mW/cm ² @ 10 mm distance 247 mW/cm ² @ 15 mm distance 220 mW/cm ² @ 20 mm distance 180 mW/cm ² @ 25 mm distance 140 mW/cm ² @ 30 mm distance 90 mW/cm ² @ 40 mm distance 60 mW/cm ² @ 50 mm distance 26 mW/cm ² @ 75 mm distance 13 mW/cm ² @ 100 mm distance 8,5 mW/cm ² @ 125 mm distance 6 mW/cm ² @ 150 mm distance
Illuminated area	8 mm x 8 mm @ 25 mm distance 12,5 mm x 12,5 mm @ 50 mm distance 22 mm x 22 mm @ 75 mm distance 32 mm x 32 mm @ 100 mm distance 41 mm x 41 mm @ 125 mm distance 50 mm x 50 mm @ 150 mm distance
Homogeneity within illuminated area	> 90 %
Working distance	Unlimited
Focal distance	50 mm to 150 mm
Focusing	By rotating the lens holder
Adjustment range of the lens holder	3 mm
Weight / material	Approx. 8 g / glas, anodised aluminium
Dimensions	Total length: 33 mm, diameter 18 mm
Total dimensions ilumCURE 1G and ilumCURE 2G with Variolens W	Length: Max. 157 mm Diameter: Max. 27.5 mm
Total Dimensions ilumCURE industrial with Variolens Ws	Length: Max. 157 mm Diameter: Max. 25 mm
Operating / storage temperature	+5 °C to +45 °C / -10 °C to +70 °C
Humidity	5 % to 95 % r. h. (non-condensing)
Included accessories	Hexagon wrench (size 0.9 mm) for locking the lens holder

*¹ Operated at 100 % intensity

*² Measured with Optometer Gigahertz P9710 and Ulbricht Sphere ISD-5P-SiUV-2

*³ Measured with EIT SPOTCURE UV Intensity Meter SP365

Subject to technical modifications. As per August 2018 (v1.3).